

HY-RSS11E non-contact Road State Sensor

Introduction

HY-RSS11E is a non-contact road surface state detector, thanks to its remote sensing technology, it can not only avoid damage to the road, but also traffic interference during its installation. Multispectral measurement technology enables accurate detection of thickness of ice, snow, water on surface of the road.

HY-RSS11E detector is ideal choice for road conditions where installation of embedded pavement sensor is inconvenient or inapplicable. Remote sensing measurement, means that there is no need to slot-cut surface or shut down the road, its installation is safe and convenient. It's almost free of maintenance and ideal choice for road meteorological systems. It can be installed on existing weather stations or on other buildings which has unobstructed view to pavement.

The HY-RSS11E detector is installed in a robust durable housing to ensure it's stable working and providing accurate data during bad weather.

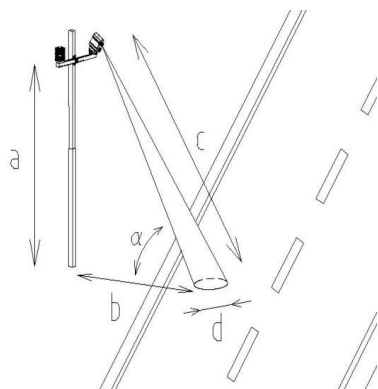
By providing accurate road state information, HY-RSS11E can alarm road management department to take appropriate remedial action. before weather elements has created a hazardous driving surface.

Application

- Bridge road
- Accident-prone areas
- Road state early alarm system
- Rain and snow-prone areas

Features

- Measure thickness of ice, snow, water on road surface
- Contactless sensing technology
- Convenient installation
- Low maintenance cost



Specification

Installation:

- Measure distance(c): 2~13 meters
- Measure area diameter(d): typical 20 cm
- c:d = 30:1
- Installation angle: 30-90°

Technical:

- Distinguishable road state between: Dry, Moist, Wet, Snow, Ice, Slush
- Applicable road material: Concrete and asphalt
- Water range: 0~10 mm Resolution: 0.01mm
- Ice range: 0~10 mm Resolution: 0.01mm
- Snow range: 0~10 mm Resolution: 0.01mm
- Water, ice, snow thickness Accuracy: ±1mm
- Grip level: 0~0.82 Resolution: 0.01

Surface temperature : -40~70°C

Resolution: 0.1°C Accuracy: ±1°C

Lens contamination compensation: Automatic

Serial Output: RS232 or RS485

Formats: unsolicited ASCII or MODBUS-RTU

Power supply: 12-24 VDC

Operating temperature: -40 ~ +70°C

Operating humidity: 0 ~ 100%

Protection Grade: IP65

Dimension: 400(L) × 136 (W) × 220 (H) mm



Hongyuv Technology Co., Ltd.
Xinye Road 4th, Piddu Zone, Chengdu City, Sichuan Province, China
TEL / Whatsapp: +86 18681878709 Skype: stefan@hongyuv.com
Email: stefan@hongyuv.com Wechat: wswgenius
Website: www.hongyuv.com/en