

HY-VTF306BE Visibility Detector

Overview

HY-VTF306BE Visibility detector measures atmospheric visibility by determining the amount of light scattered by different particles (smoke, dust, haze, fog, rain or snow) in the air that pass through the optical sample volume.



Key Features

- Especially built for Traffic Applications
- 10m to 10km measurement range(can extend to 100km)
- Ideal for road long distance visibility data collection
- Accurate and traceable measurement
- High mechanical strength
- Low maintenance requirement
- Simple Installation and Maintenance
- Compact forward design
- Not affected by local lights
- Easily installed by one person
- Hood heating for use in extreme environments

Technical Parameters

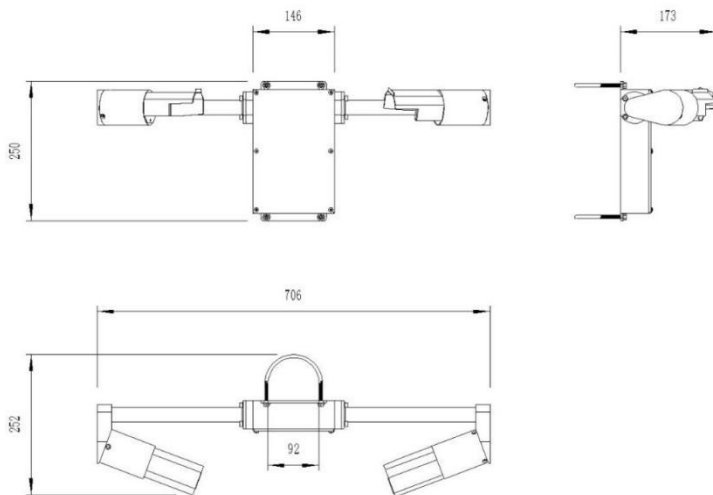
Visibility measurement			
Measures Range	10m to 10km (20km,30km,50km,80km,100km customizable at extra cost)		
Accuracy	±10%		
Measurement principle	Forward scattering measurement with 39° to 51° angle		
Output			
Serial outputs	RS232 or RS485	Baud Rate	9600 bps
Protocol	ModBus or active output in ASCII		
Environmental & Power Requirements			
Operating temperature	-40°C to +60°C	Power consumption	12-24 VDC@3.8W
Operating humidity	0 – 100% RH	Protection rating	IP65
Physical			
Material	Powder coated Hard-Anodized aluminium		
Weight & Dimension	3.2 Kg; 706x250x170mm	Designed Lifetime	>10 Years

Specifications may be subject to change without prior notice.

Field of application

The forward scatter measurement principle and unique design ensure the output is both accurate and reliable in all weather conditions and will not be influenced by local lights sources, even those that flash. With a measurement range of 10m to 10km the sensor is suitable for use in road and aviation constructed from robust aluminium and finished with a high quality powder coat, the sensor will provide years of reliable service. Heating of the optical windows and sensor hoods is provided as standard allowing use in the harshest of conditions. Both optical windows are monitored for contamination and the visibility output is automatically compensated to reduce maintenance requirement.

Dimension



Site Photos

