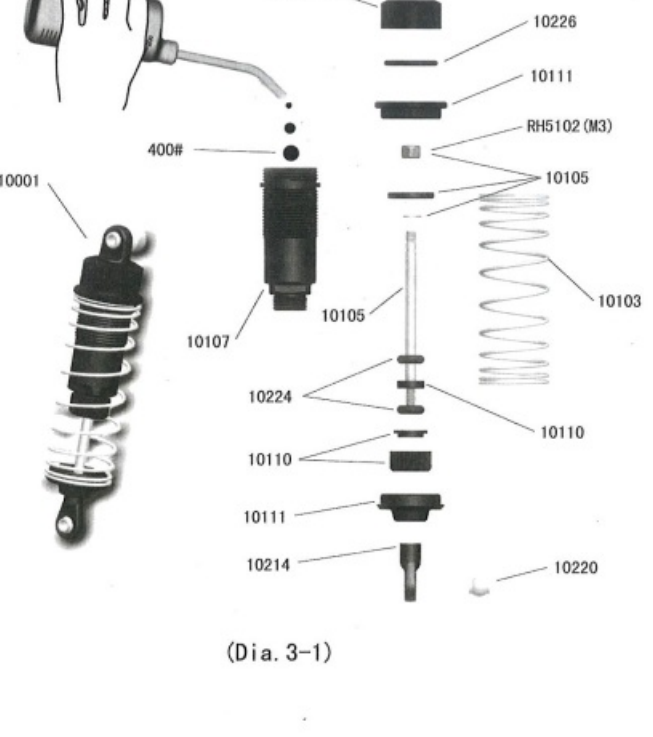


Spirit Nitro VRX

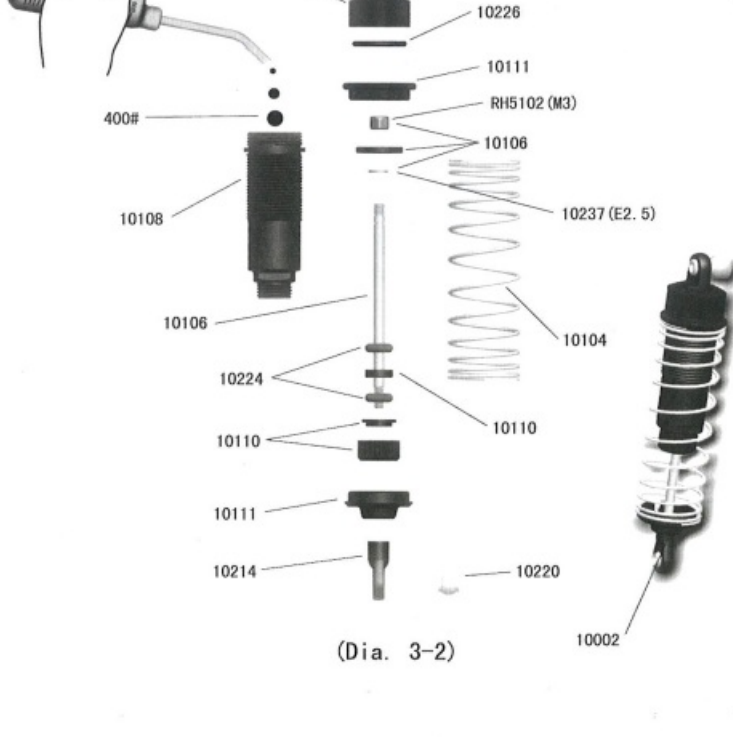
FRONT & REAR SHOCK ASSEMBLY

Front Shocks



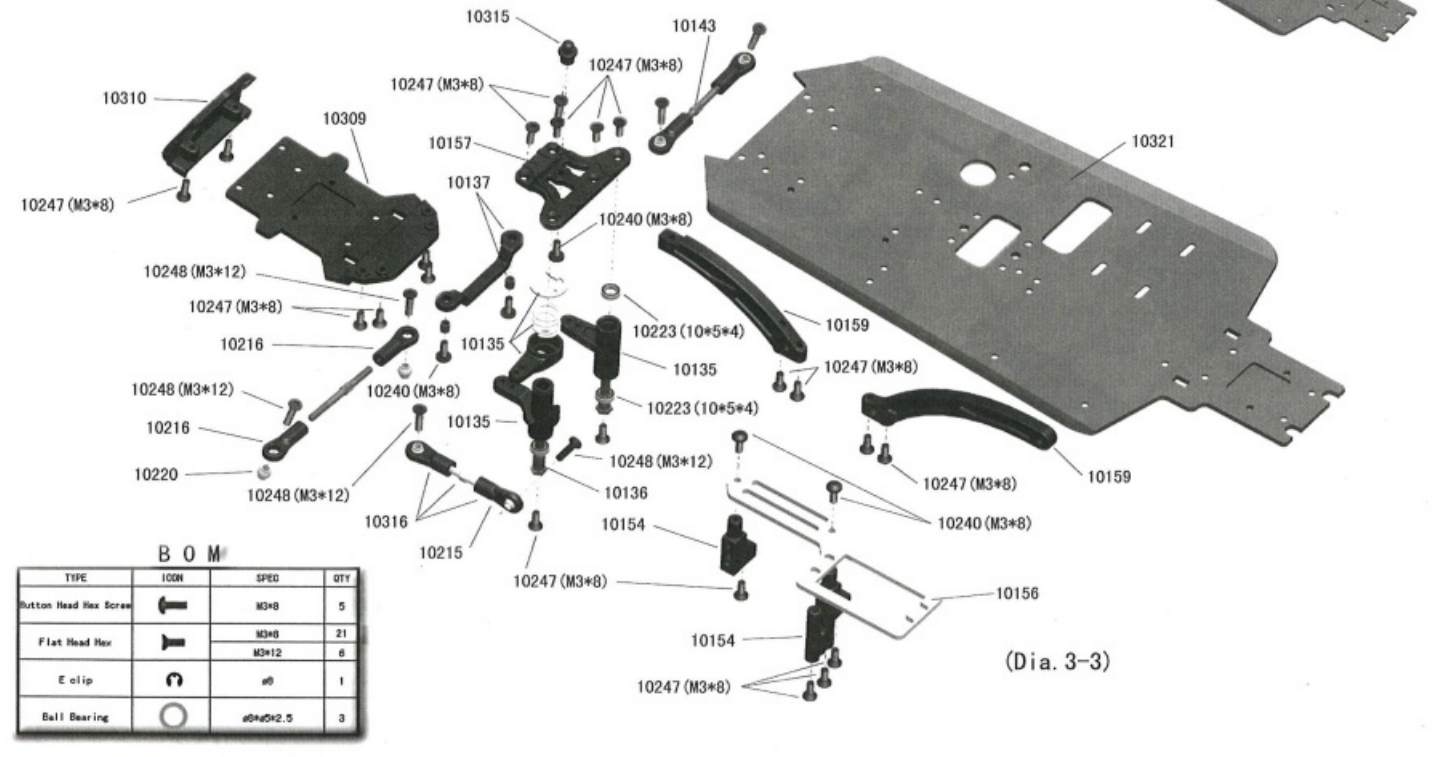
(Dia. 3-1)

Rear Shocks



(Dia. 3-2)

Chassis Assembly



(Dia. 3-3)

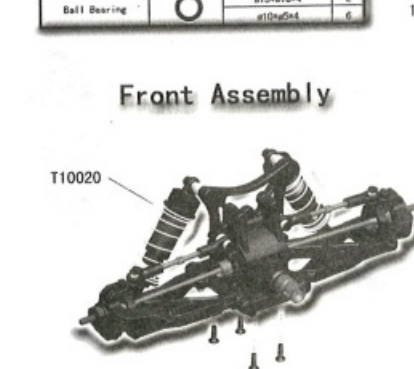
| TYPE | ICON | SPEC | QTY |
|-----------------------------------|------|---------|-----|
| Round Head Self Tapping Hex Screw | | DW10 | 4 |
| Button Head Hex Screw | | MD10 | 5 |
| Flat Head Hex | | MD10 | 21 |
| E-clip | | 40 | 1 |
| Ball Bearing | | 40x20x5 | 3 |

BOBLE.PL

| TYPE | ICON | SPEC | QTY |
|-----------------------------------|------|---------|-----|
| Round Head Self Tapping Hex Screw | | DW10 | 4 |
| Button Head Hex Screw | | MD10 | 2 |
| Cap Head Hex Screw | | MD10 | 2 |
| Flat Head Hex | | MD10 | 2 |
| Set Screw | | MD4 | 1 |
| Nylon Lock Nut | | MD 3 | 3 |
| E-clip | | 40.5 | 5 |
| O-ring | | 40x20x5 | 2 |
| Ball Bearing | | 40x20x5 | 2 |

| TYPE | ICON | SPEC | QTY |
|-----------------------------------|------|---------|-----|
| Round Head Self Tapping Hex Screw | | DW10 | 4 |
| Button Head Hex Screw | | MD10 | 2 |
| Cap Head Hex Screw | | MD10 | 2 |
| Flat Head Hex | | MD10 | 2 |
| Set Screw | | MD4 | 1 |
| Nylon Lock Nut | | MD 3 | 3 |
| E-clip | | 40.5 | 5 |
| O-ring | | 40x20x5 | 2 |
| Ball Bearing | | 40x20x5 | 2 |

Front Assembly

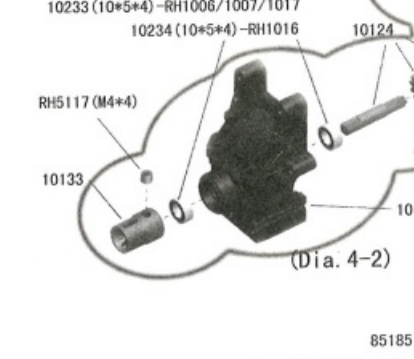


(Dia. 4-1)

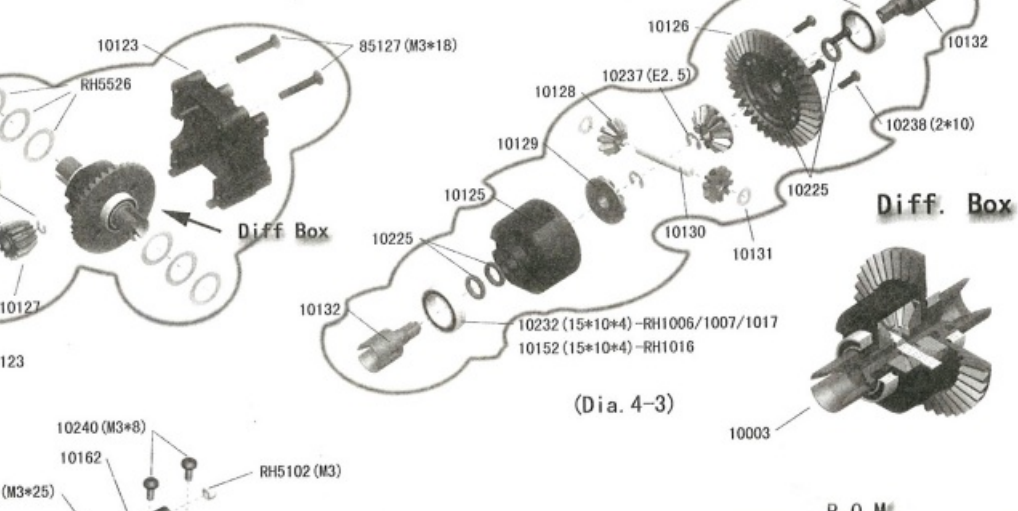


Gearbox Assembly

Gearbox Assembly

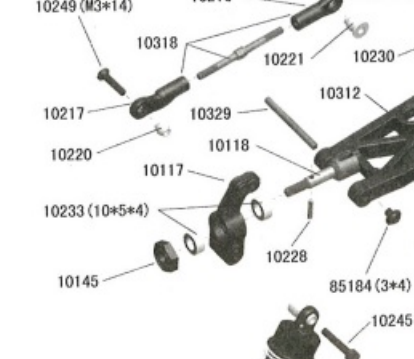


(Dia. 4-2)

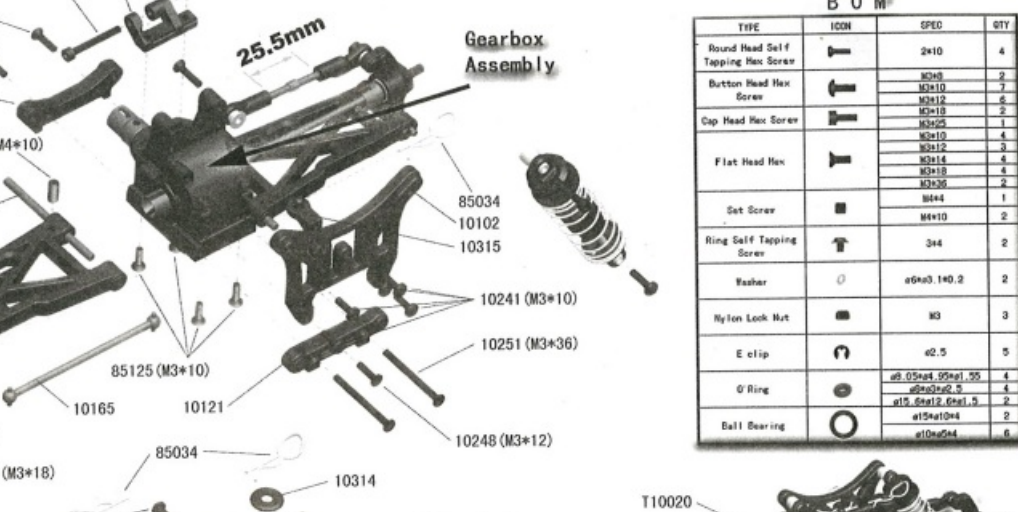


(Dia. 4-3)

Rear Assembly



(Dia. 4-4)

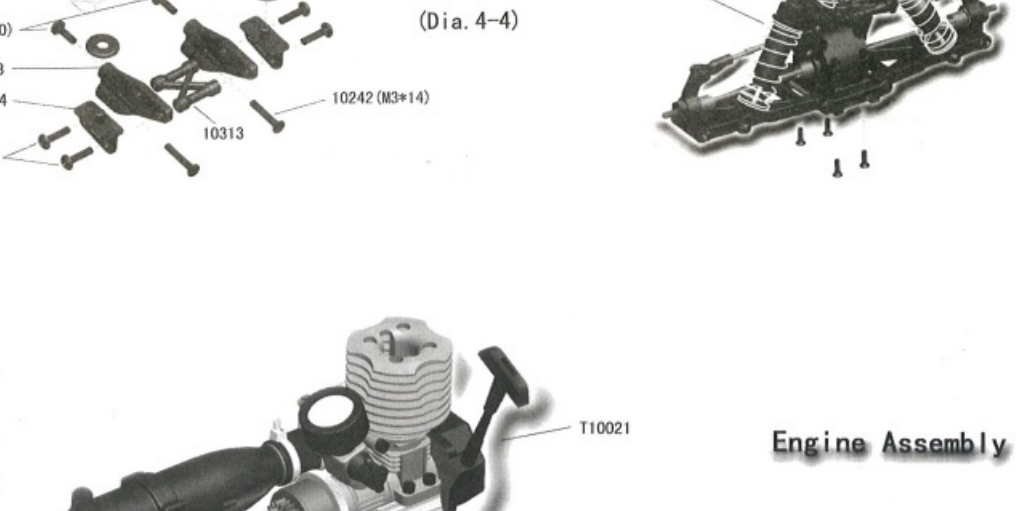


Diff. Box

Diff. Box

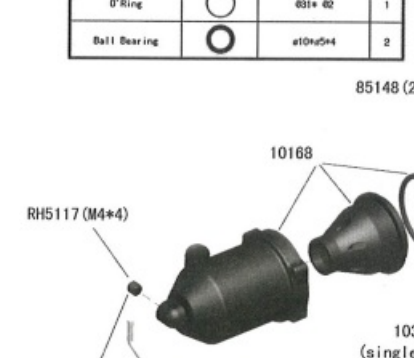


(Dia. 4-2)



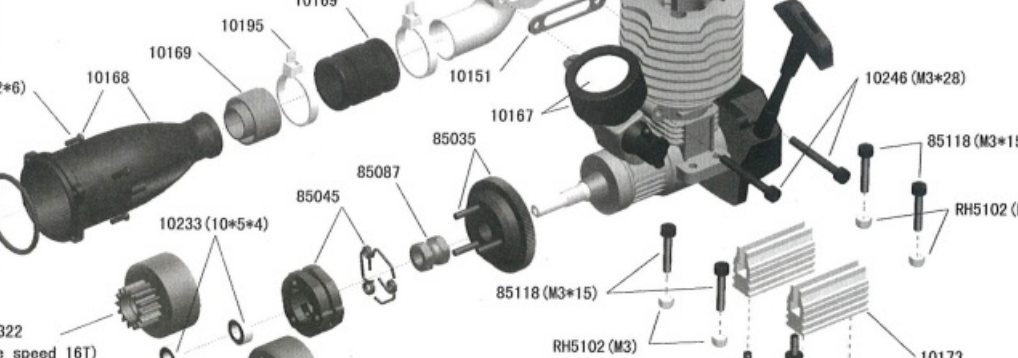
(Dia. 4-3)

Engine Assembly



(Dia. 5-1)

Engine Assembly

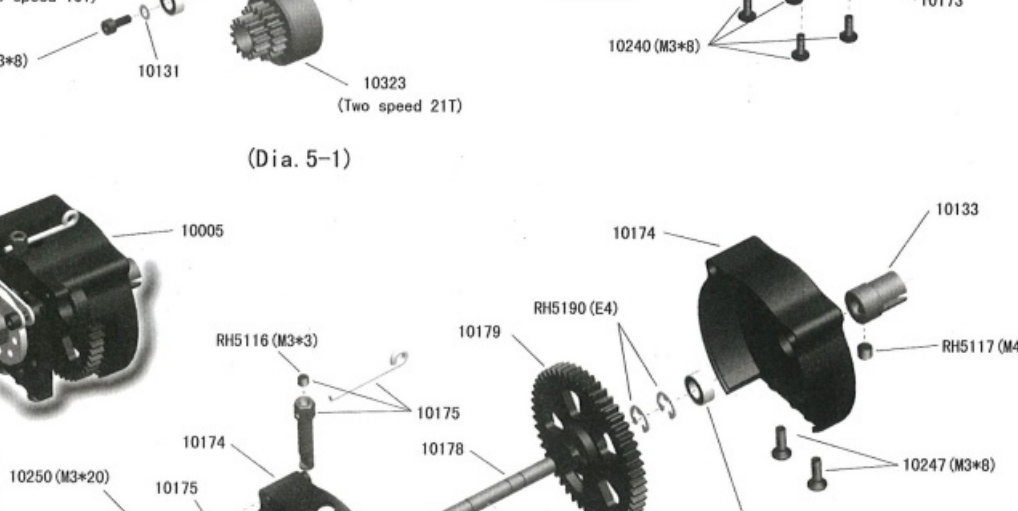


(Dia. 5-1)

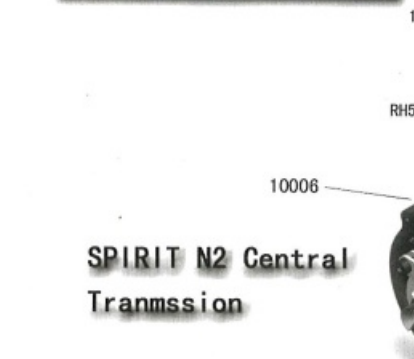
SPiRiT N1 Central Transmssion



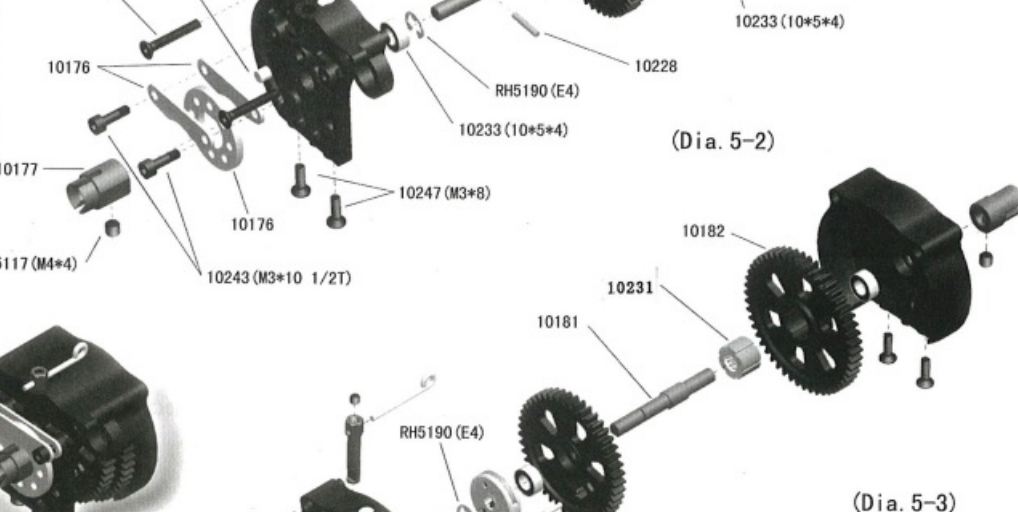
(Dia. 5-2)



SPiRiT N2 Central Transmssion

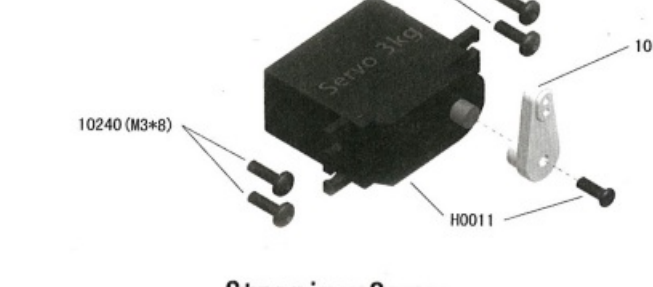


(Dia. 5-3)



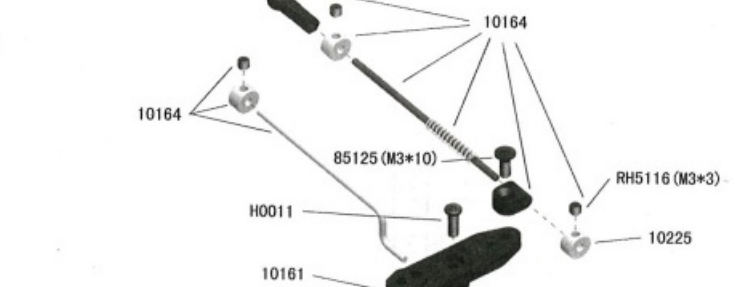
BOBLE.PL

Steering Servo



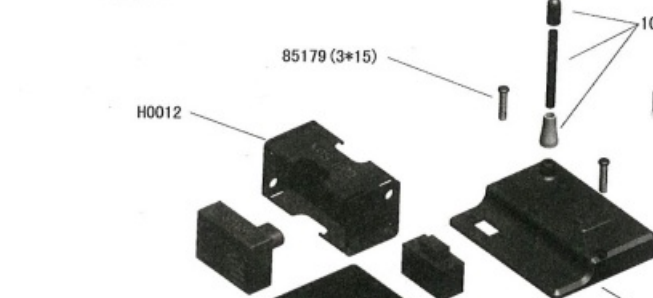
(Dia. 6-1)

Throttle Linkage

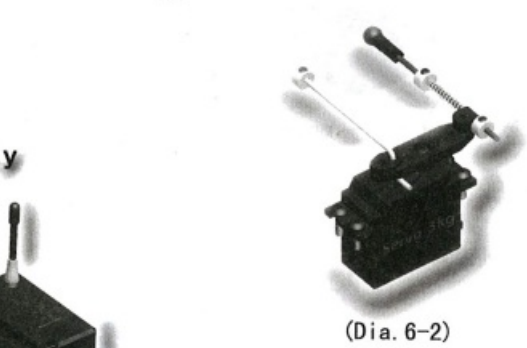


(Dia. 6-2)

Receiver Assembly

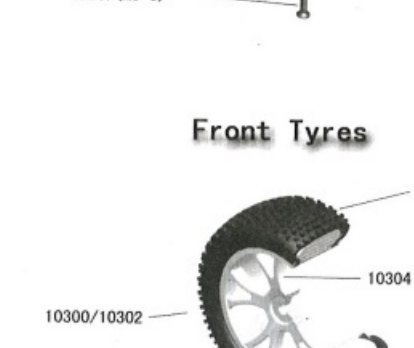


(Dia. 6-3)



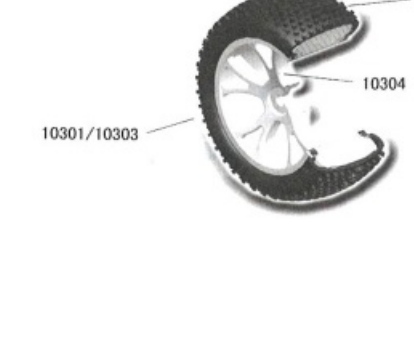
(Dia. 6-6)

Front Tyres



(Dia. 6-4)

Rear Tyres



(Dia. 6-4)