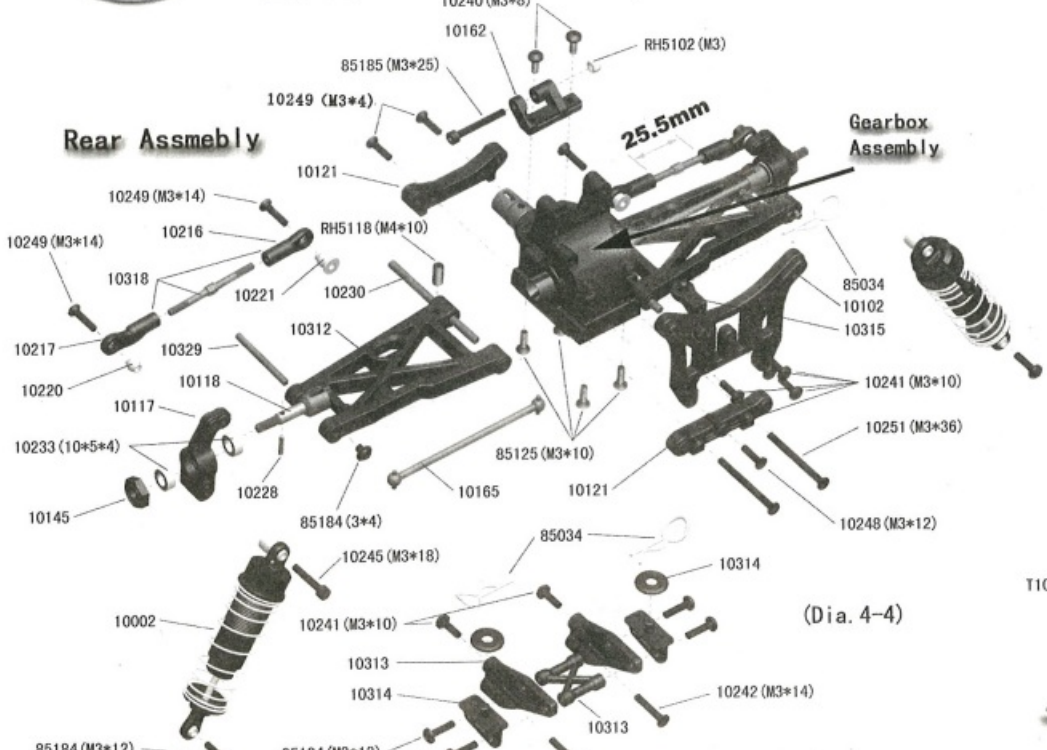
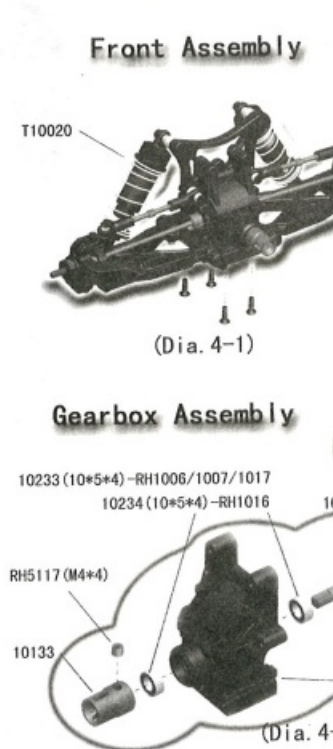
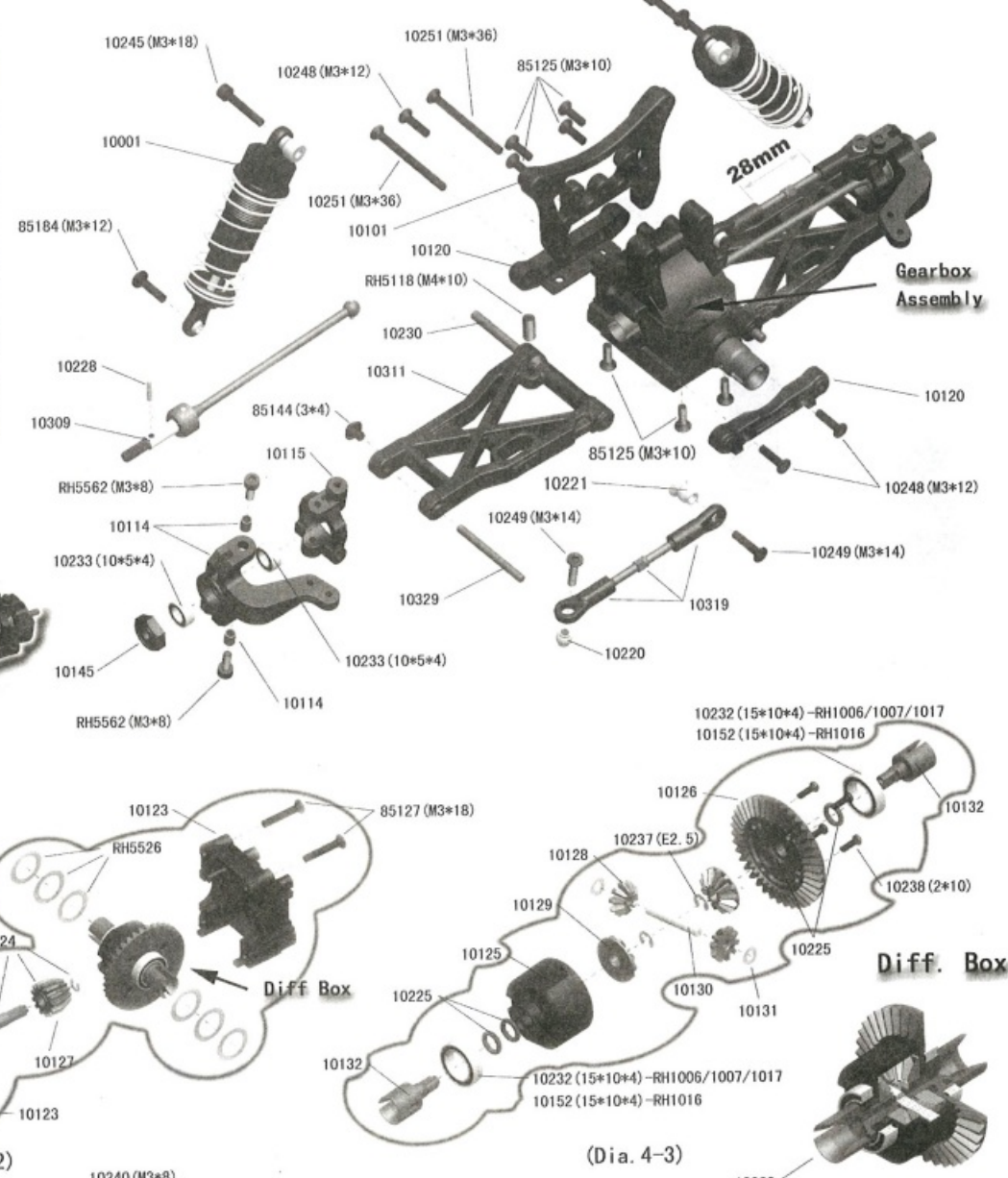


# MODELE ZDALNIE STEROWANE BOBLE.PL

## Spirit Buggy VRX

**B O M**

TYPE	IDOM	SPEC	QTY
Round Head Self Tapping Hex Screw	2x10		4
Button Head Hex Screw	M3x12		2
Cap Head Hex Screw	M3x12		2
Flat Head Hex	M3x10		4
	M3x12		2
	M3x10		2
Set Screw	M4x4		1
	M4x10		2
Ring Self Tapping Screw	3x4		2
Washer	ø6xø3.1x0.2		2
Nylon Lock Nut	M3		2
E clip	ø2.5		5
O' Ring	ø15. Statiz. Ømal. 5		4
	ø15. Statiz. Ømal. 5		4
Ball Bearing	ø15xø4		2



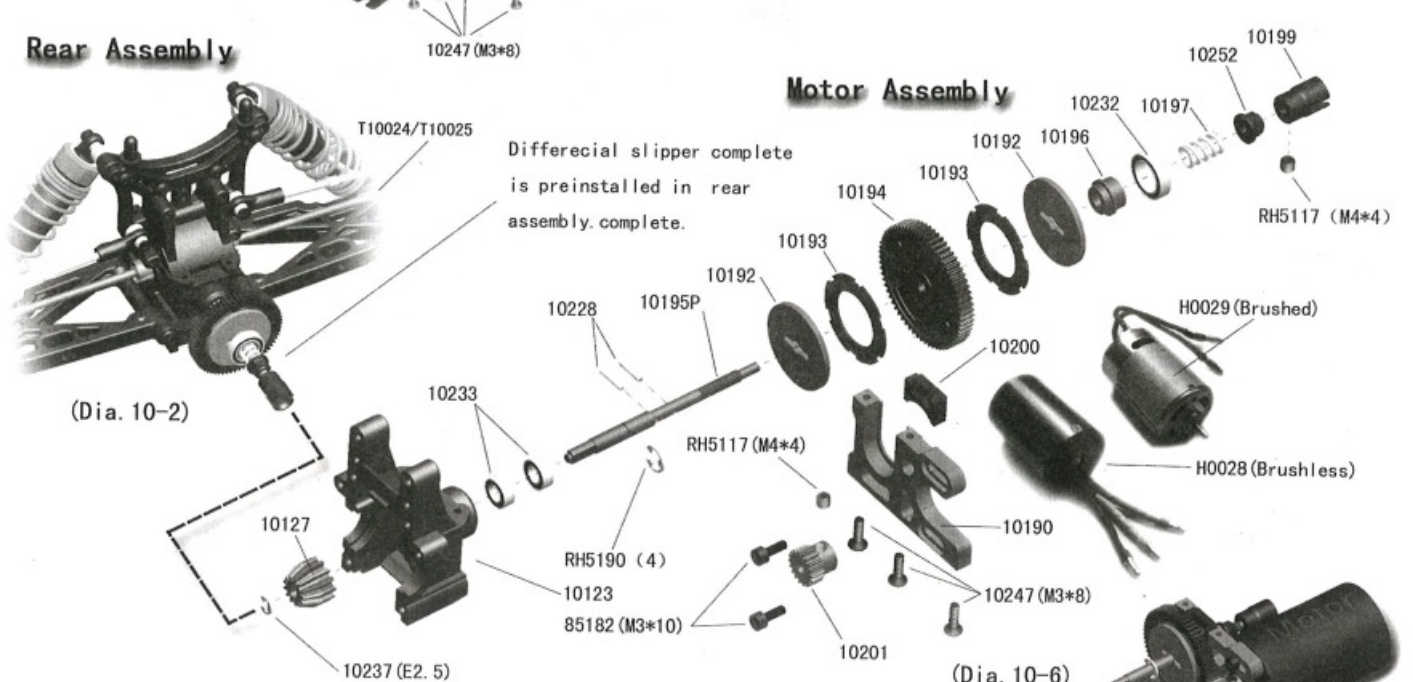
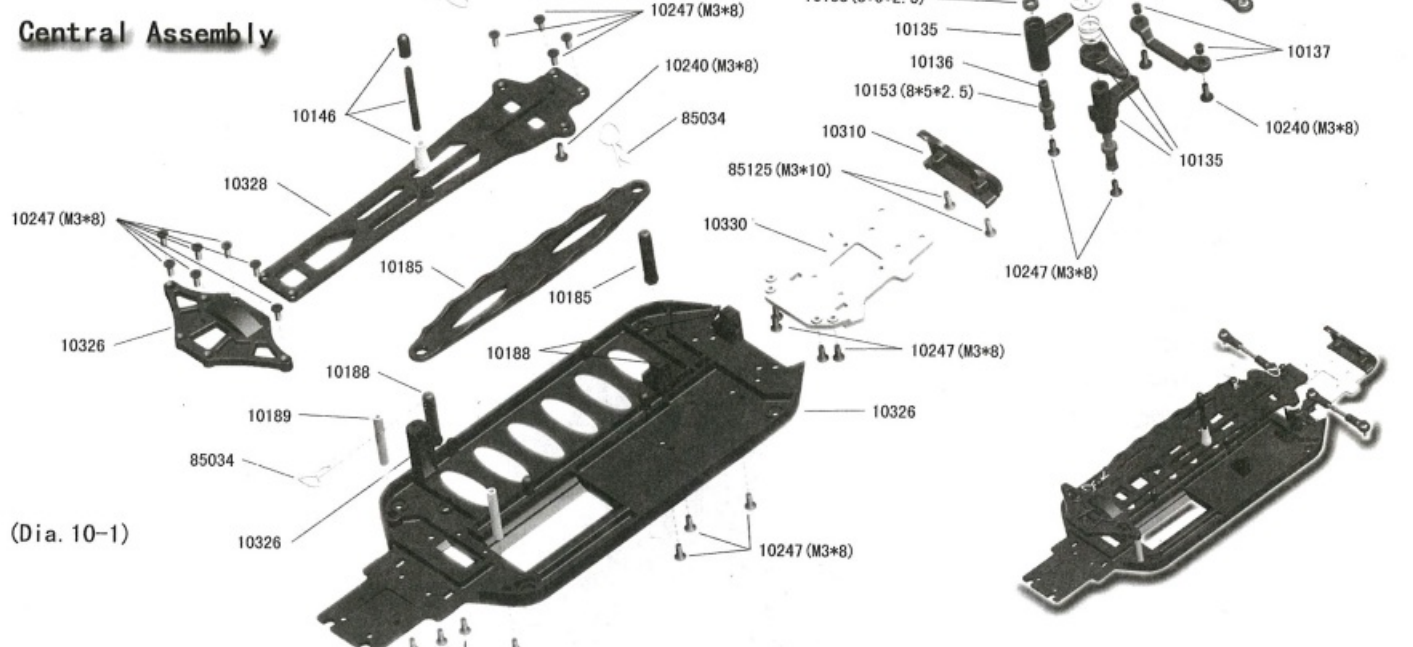
**B O M**

TYPE	IDOM	SPEC	QTY
Round Head Self Tapping Hex Screw	2x10		4
Button Head Hex Screw	M3x12		2
Cap Head Hex Screw	M3x12		2
Flat Head Hex	M3x10		4
	M3x12		2
	M3x10		2
Set Screw	M4x4		1
	M4x10		2
Ring Self Tapping Screw	3x4		2
Washer	ø6xø3.1x0.2		2
Nylon Lock Nut	M3		2
E clip	ø2.5		5
O' Ring	ø15. Statiz. Ømal. 5		4
	ø15. Statiz. Ømal. 5		4
Ball Bearing	ø15xø4		2

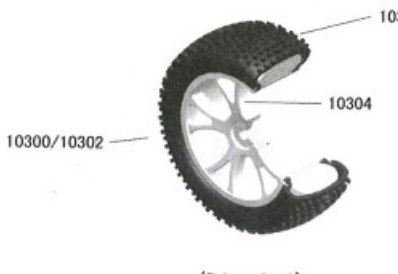
# BOBLE.PL

SPiRiT EBD and SPiRiT EBL are converted from SPiRiT N1, having same front assembly. Please refer to Dia. 4-1. And the rear assembly is all same as SPiRiT N1 but without center outdrive cup (see Dia. 10-2)

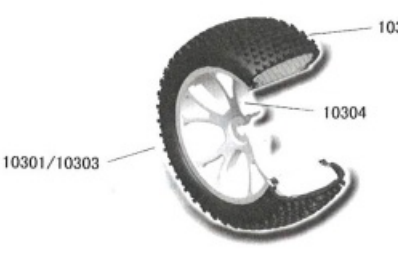
Attention: SPiRiT EBD and SPiRiT EBL are only different in ESC, motor battery, charger and radio.



### Front Tyres



### Rear Tyres



# BOBLE.PL