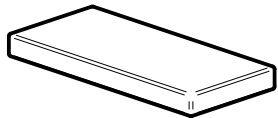


Upper bed for children 6+ years old



Mattress height:  
min. 12 cm  
max. 14 cm



## WARNING !

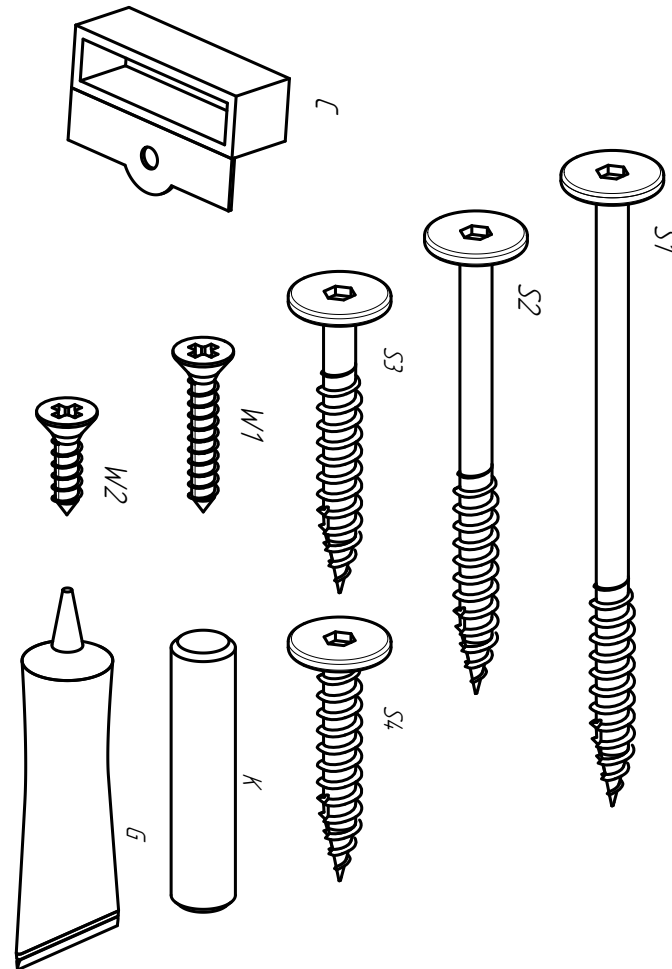
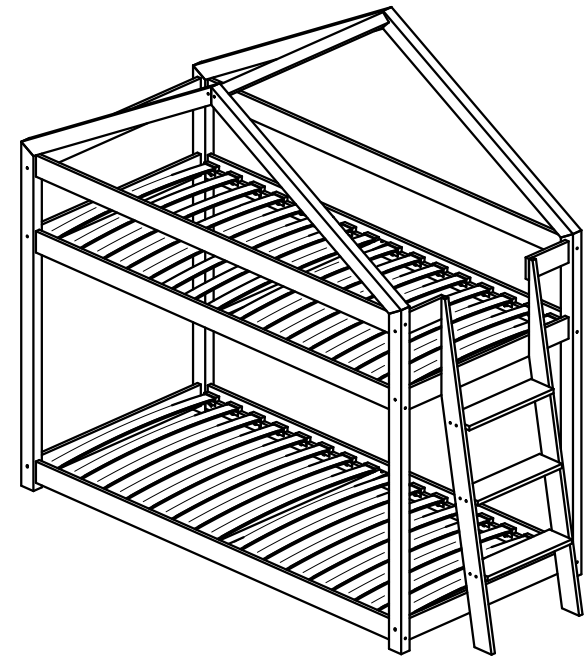
*DO HELP PREVENT SERIOUS OR FATAL INJURIES FROM ENTRAPMENT OF FALLS.*

- Never allow a child under 6 years on upper bunk.
- Use only mattress with thickness is 12-14 cm height.
- Use guardrails on both sides of upper bunk.
- Prohibit horseplay on or under bed(s).
- Prohibit more than one person on upper bunk.
- Use ladder for entering and leaving upper bunk.
- If the bunk bed will be placed next to a wall, the guardrail that runs the full length of the bed should be placed against the wall to prevent entrapment between the bed and the wall.

**STRANGULATION HAZARD** - Never attach or hang items to any part of the bunk bed that are not designed for use with the bed; for example, but not limited to, hooks, belts and jump ropes.

**CERTIFIED** - This bunk bed conforms to all applicable consumer product safety standards.

Number of certificate: OBAC/0251/CZ/18



# DMPB

70x140 70x160  
80x140 80x160  
80x180 80x190  
80x200  
90x140 90x160  
90x180 90x190  
90x200

